

## Fire Hydrant Dry-Barr el, 250PSI FIG · F0733-250

### Specifications

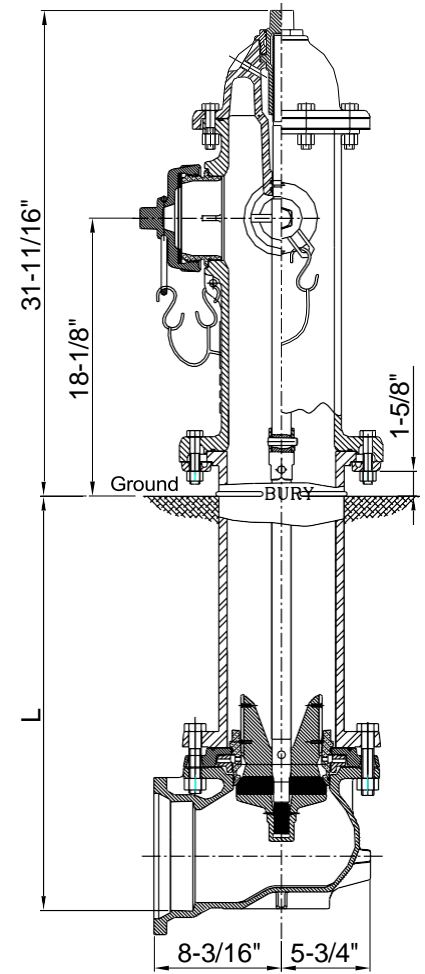
- Manufactured in accordance with AWWA C502 Standard
- UL Listed / FM Approved at 250 psi water working pressure rating
- (1) 4.5" Pumper Nozzle, (2) 2.5" Hose Nozzles. NH Thread. Other thread types available
- Multiple bury lengths available. Specify bury depth at time of order
- 6" Mechanical Joint Shoe to AWWA C111 Standard / 6" Flanged Shoe to ANSI B16.1, Class 125
- Specify Mechanical Joint or Flanged Shoe at time of order
- Traffic Flange model, with full "break-away" safety feature

• Working temperature:  
42° F - 180° F

• Corrosion protection:  
Liquid Epoxy Painted Interior and Exterior to AWWA C550 Standard

**Note:**  
*Design and material are subject to change without notice.*

### Schematic



### Material Specifications

Part Name	Material	ASTM Spec.
Operating Nut	Bronze	ASTM B62
Hold Down Nut	Bronze	ASTM B62
O-Ring	NBR	Commercial
Bonnet	Cast Iron	A126 Class B
Bonnet Bolt & Nut	Stainless Steel	AISI 201
Upper Rod	Carbon Steel	AISI 1045
Pumper Nozzle	Bronze	ASTM B62
Pumper Nozzle Gasket	NBR	Commercial
Hose Nozzle	Bronze	ASTM B62
Hose Nozzle Gasket	NBR	Commercial
Pumper Nozzle Cap	Cast Iron	A126 Class B
Hose Nozzle Cap	Cast Iron	A126 Class B
Cap Chain	Carbon Steel	Plated
Upper Barrel	Ductile Iron	A536 65-45-12
Safety Coupling	Stainless Steel	A890
Safety Flange Bolt & Nut	Stainless Steel	AISI 201
Safety Flange	Ductile Iron	A536 65-45-12
Lower Rod	Carbon Steel	AISI 1045
Lower Barrel	Ductile Iron	A536 65-45-12
Stem Pin	Stainless Steel	A276
Drain Ring Housing	Ductile Iron	A536 65-45-12
Drain Ring	Bronze	ASTM B62
Seat Ring	Bronze	ASTM B62
Bottom Plate	Ductile Iron	A536 65-45-12
Disc Ring	NBR	Commercial
Bottom Plate Nut	Ductile Iron	A536 65-45-12
Elbow	Ductile Iron	A536 65-45-12

### Dimensions (inch)

L	Weight (kg)
3' - 0"	170
3' - 6"	178
4' - 0"	183
4' - 6"	196
5' - 0"	200
5' - 6"	210
6' - 0"	215
6' - 6"	224